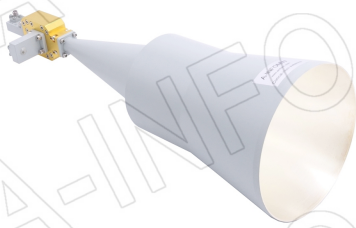


For reference only. See data sheet for the detailed specifications.

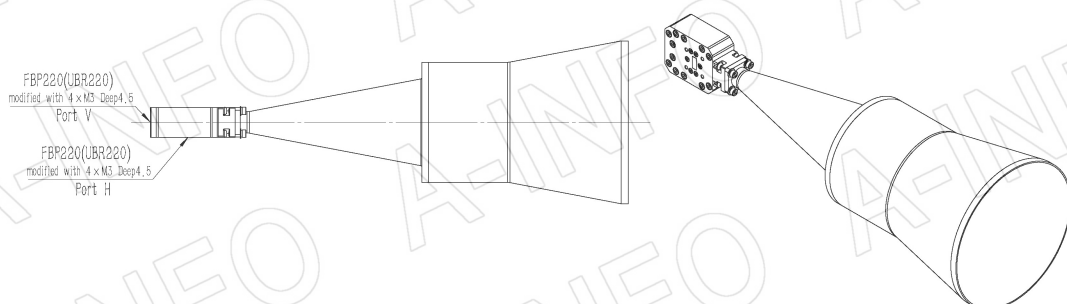
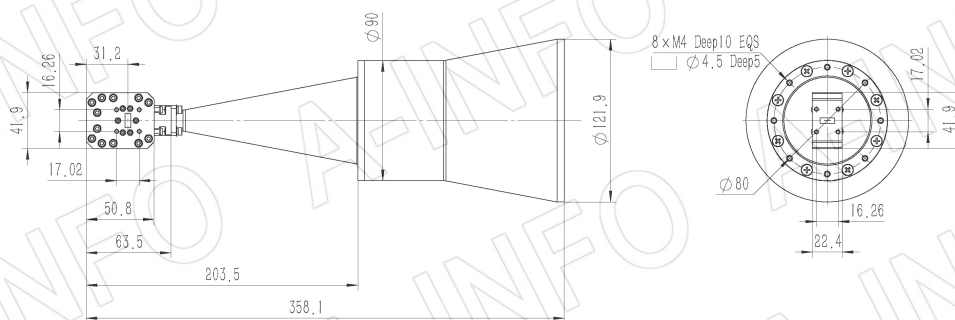
Technical Specification

Frequency Range(GHz)	18.0 – 26.5
Waveguide	WR42
Gain(dBi)	25 Typ.
Polarization	Dual Linear
3dB Beamwidth(deg)	E Plane: 8 Typ.
	H Plane: 9 Typ.
Cross Pol. Isolation(dB)	45 Typ.; 35 Min.
Port to Port Isolation(dB)	50 Typ.; 40 Min.
VSWR	A Type: 1.60:1 Max.
	C Type: 1.80:1 Max.
Output	A Type: FBP220(UBR220) (modified with 4XM3 D4.5)
	C Type: SMA-Female or 2.92mm-Female or 3.5mm-Female
Material	Al
Finish	Gold Plated and Sliver Plated, Gray Paint
Size(mm)	A Type: 121.9 x 121.9 x 358.1
	C Type: 121.9 x 121.9 x 393.1
Net Weight(Kg)	A Type: 0.78 Around
	C Type: 0.92 Around



Outline Drawing (Size: mm)

FBP220 Output (P/N: LB-CN42-25-T02-A)



AINFO Inc.

China(Beijing): Tel: (+86) 10-6266-7326,
China(Chengdu): Tel: (+86) 28-8519-2786,
USA: Tel: (+1) 949-639-9688,

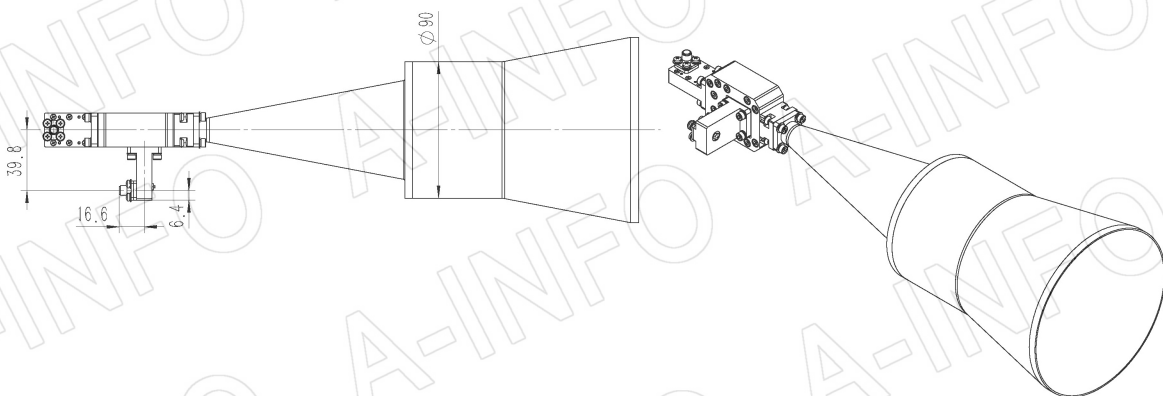
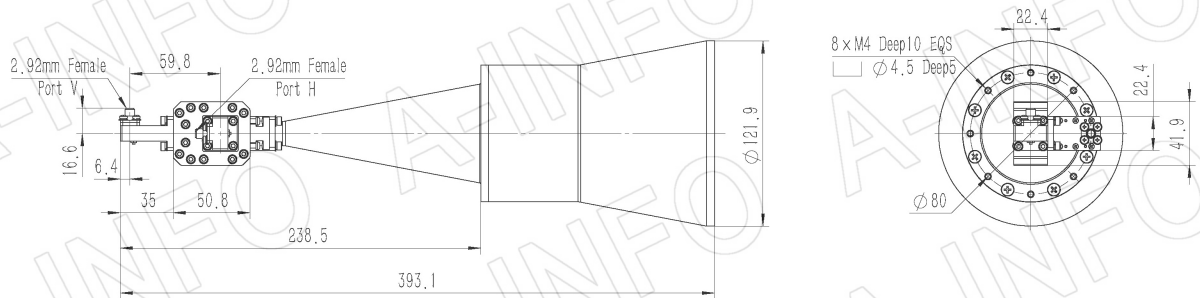
Page 1 of 11

(+86) 10-6266-7327 Fax: (+86) 10-6266-7379
(+86) 28-8519-3044 Fax: (+86) 28-8519-3068
(+1) 949-639-9608 Fax: (+1) 949-639-9670

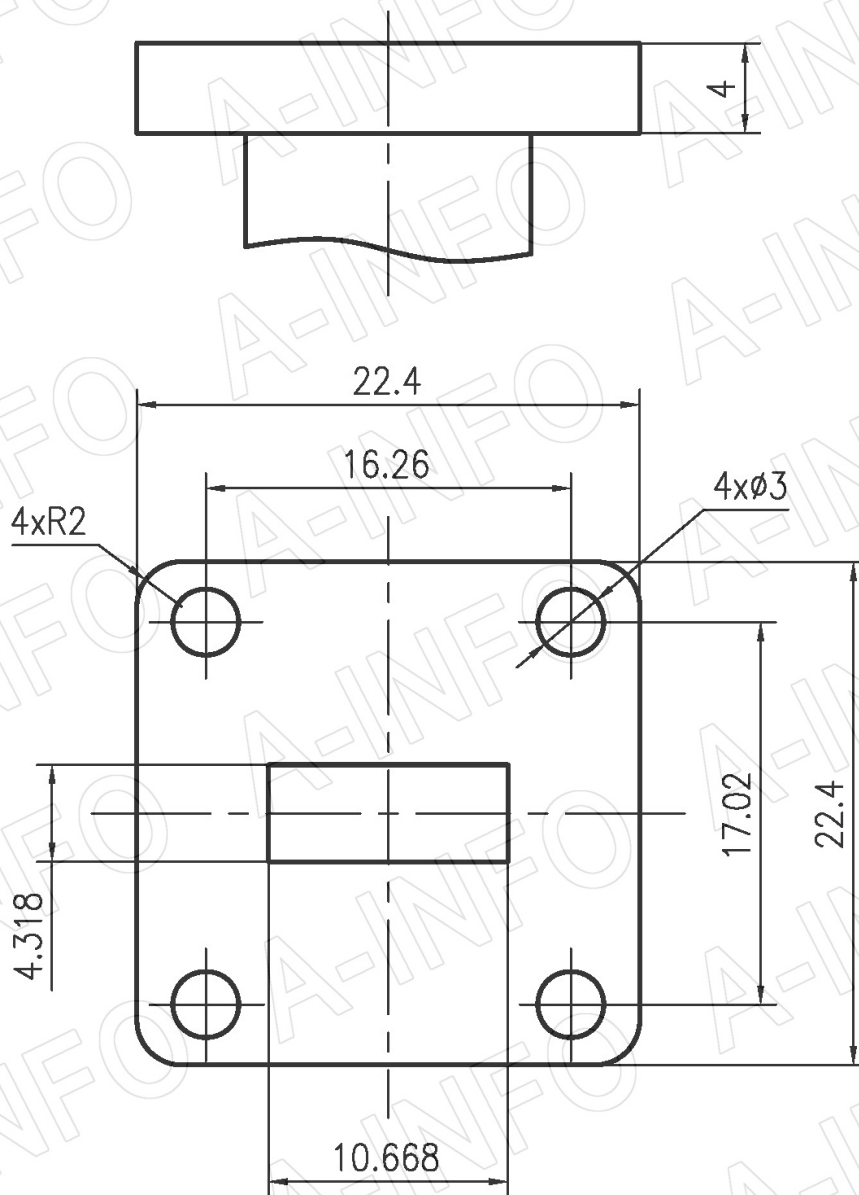
Website: www.ainfoinc.com
Email: sales@ainfoinc.com

2.92mm-Female Output (P/N: LB-CN4-42-25-T02-C-KF)

For SMA-Female or 3.5mm-Female output outline drawing, please contact A-INFO.



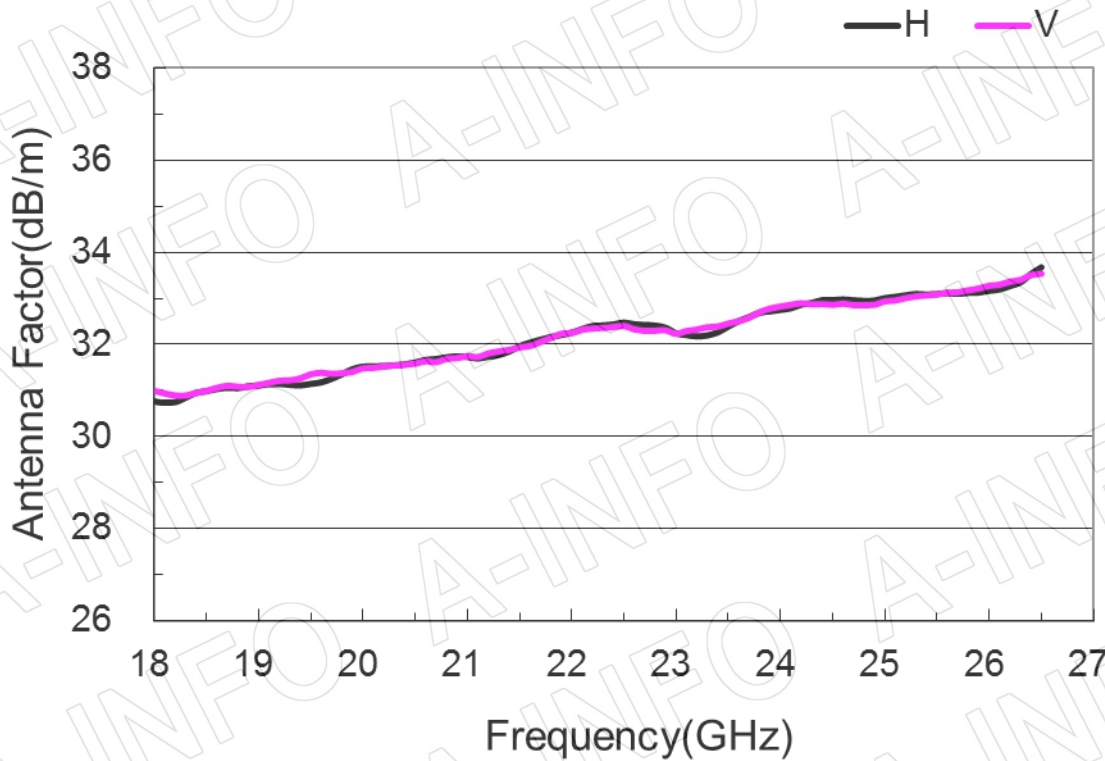
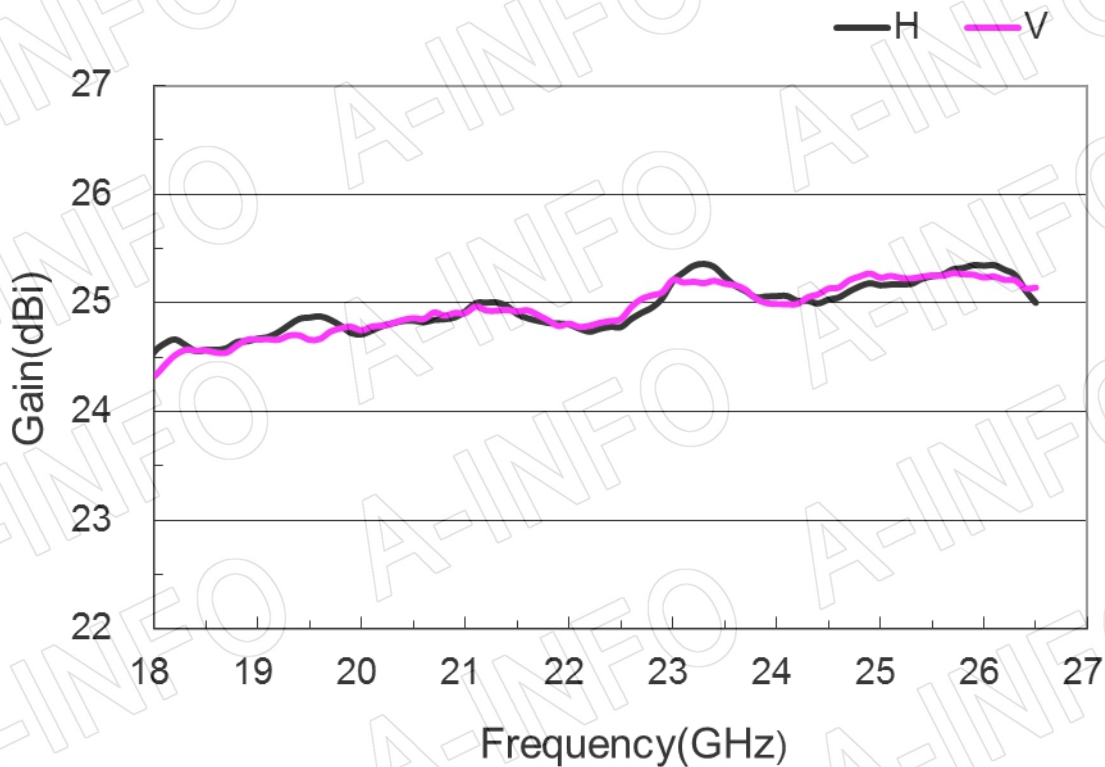
Flange Drawing (Size: mm)



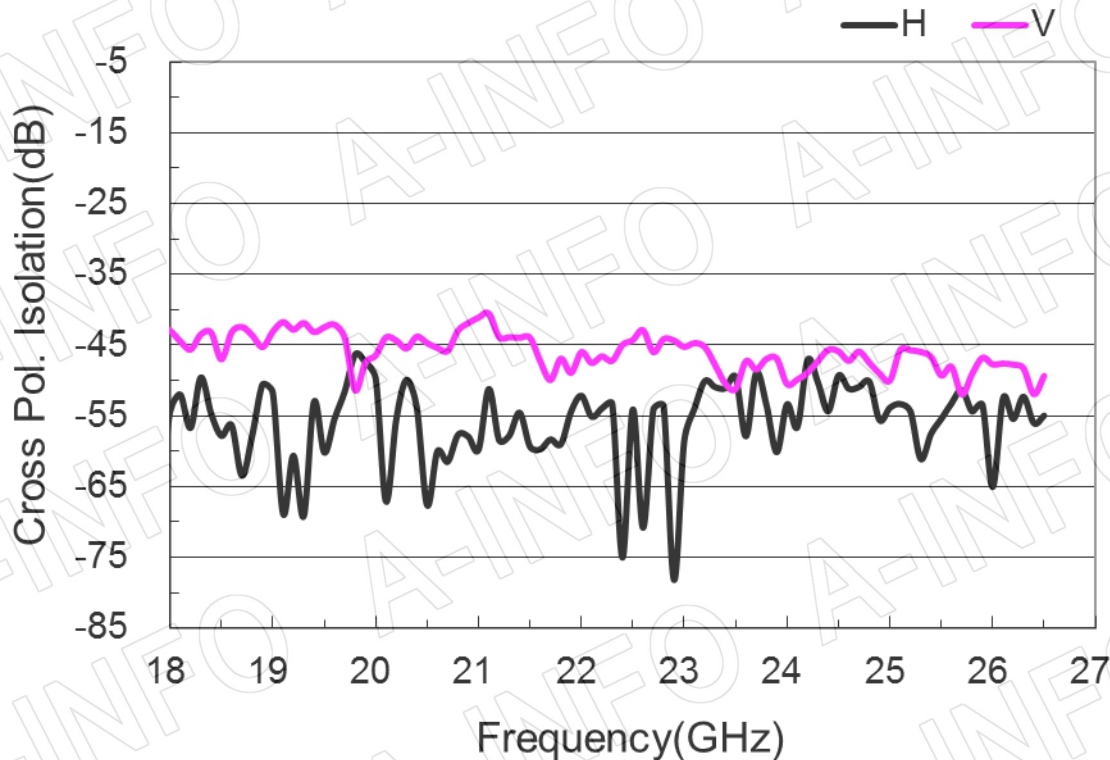
FBP220

Test Results

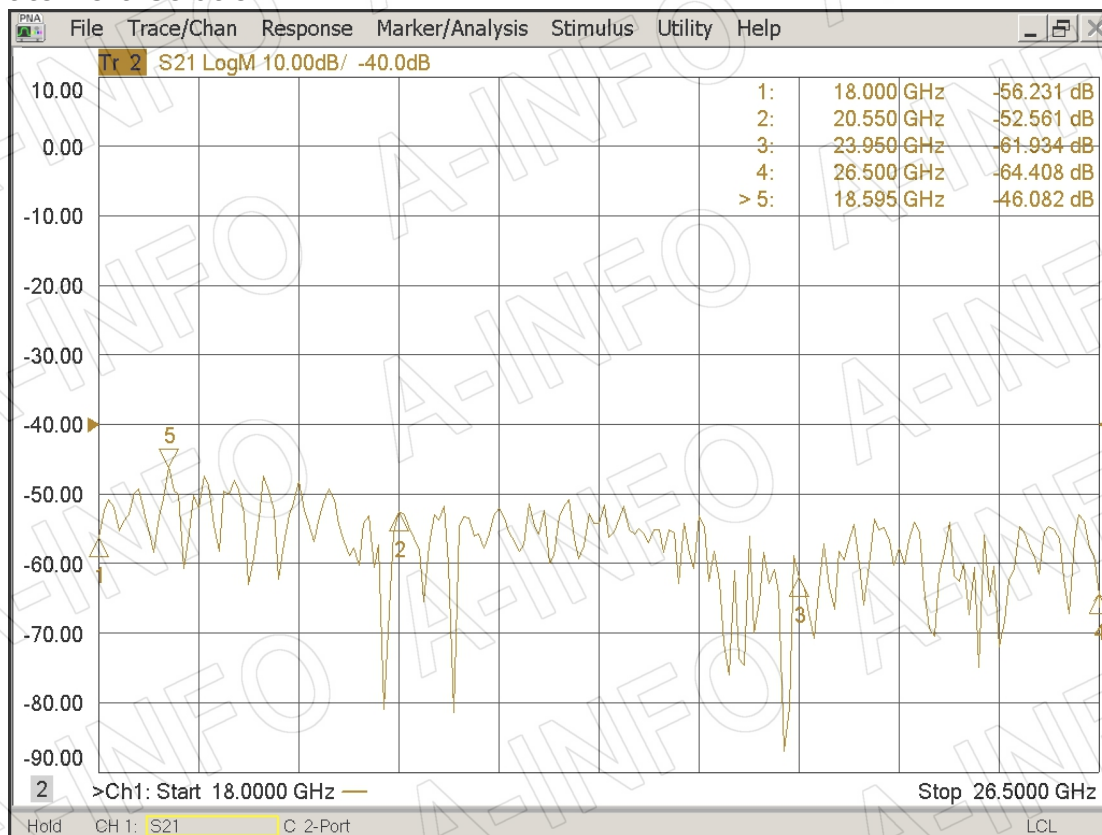
1. Gain & Antenna Factor



2. Cross Polarization Isolation

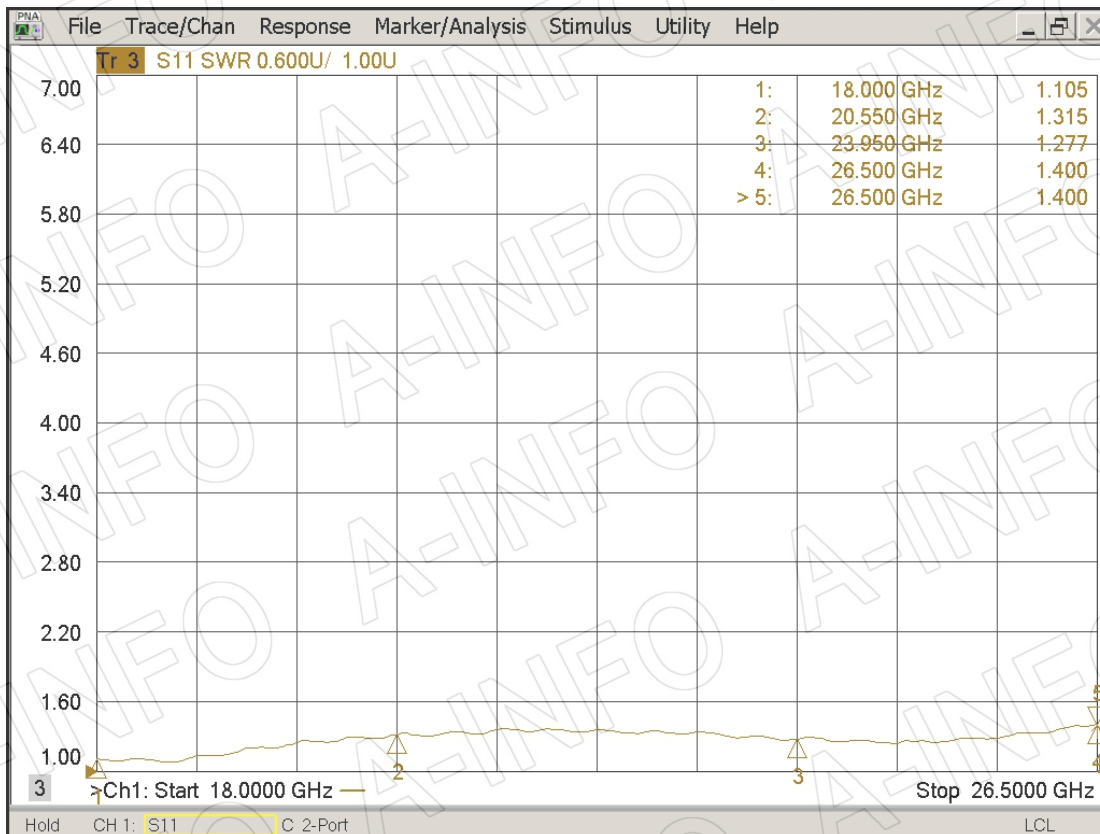


3. Port to Port Isolation

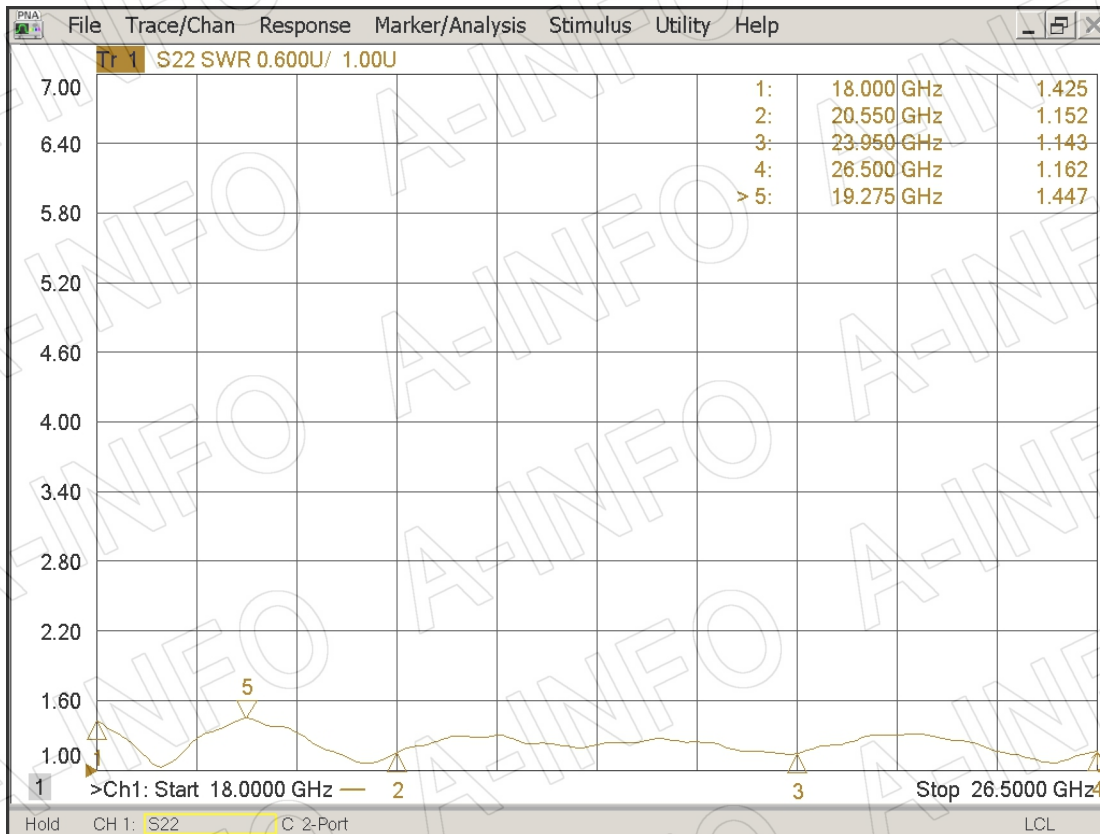


4. VSWR_A Type

Port-H

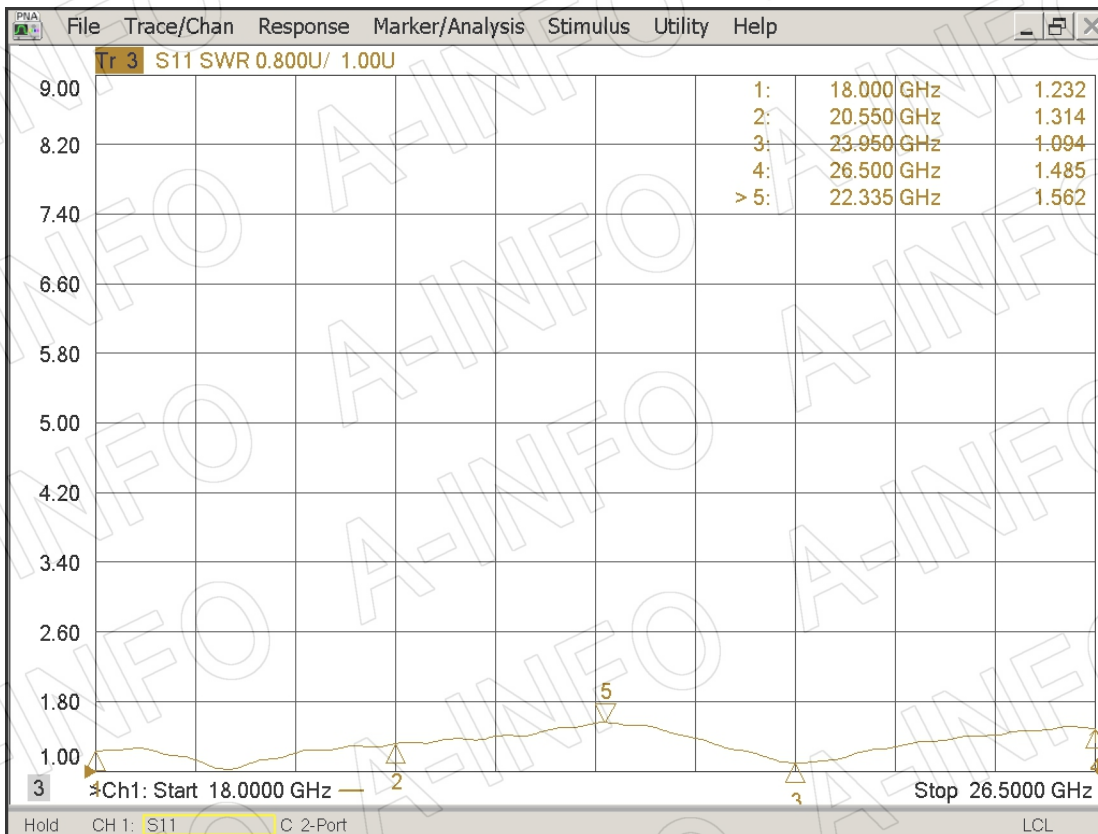


Port-V

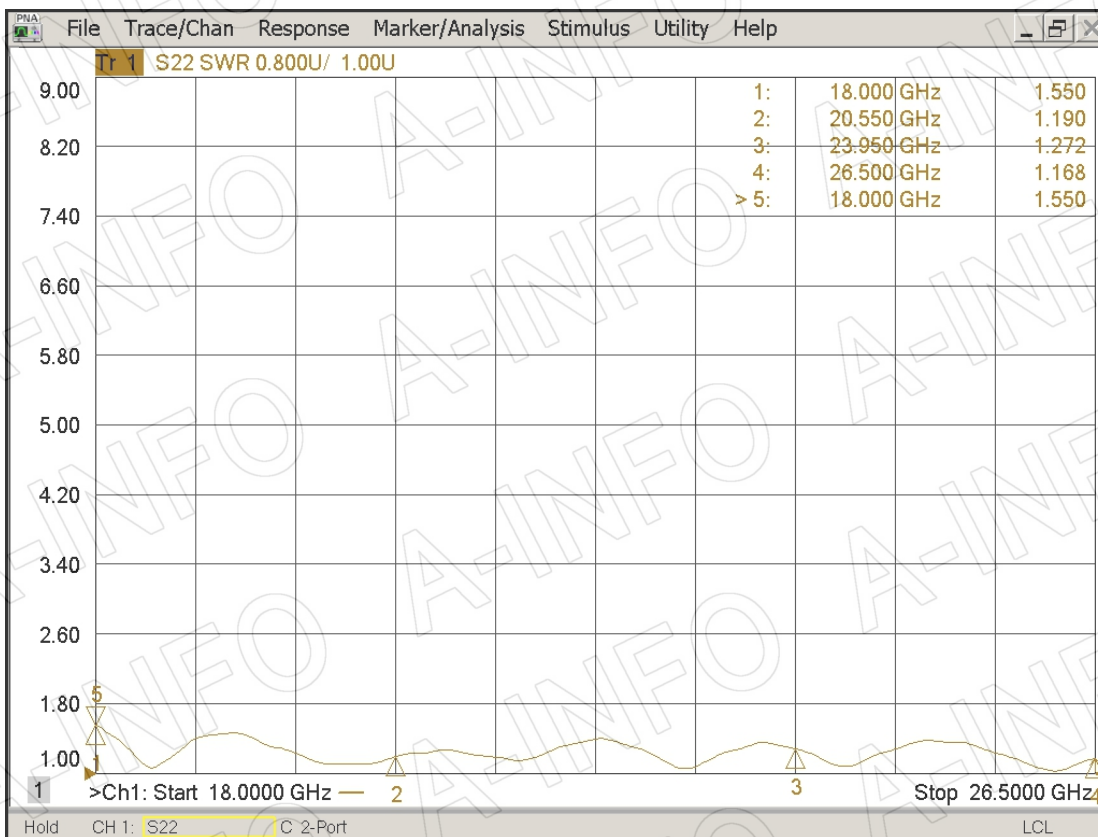


VSWR_C Type

Port-H



Port-V



5. Pattern

